

SIZE SR12

ABSOLUTE SHAFT ENCODER 8 BITS, 9BITS

Starting at \$200.00 – 8 bits, \$220.00 – 9 bits
Binary, Gray code & Analog outputs



FEATURES

WORLD ENCODERS

brand, Made in USA

- Size 12 dia, 1/4" Shaft Single-turn
- 256 (8 bits), 512 (9 bits) Resolution
- Natural Binary, Parallel 5v outputs
Analog 0-10v outputs, 12-30v input
- Std. 3 ft. cable w/2x6 header conn. (Parallel outputs)
- 3 pos. terminal block for Analog outputs

SPECIFICATIONS

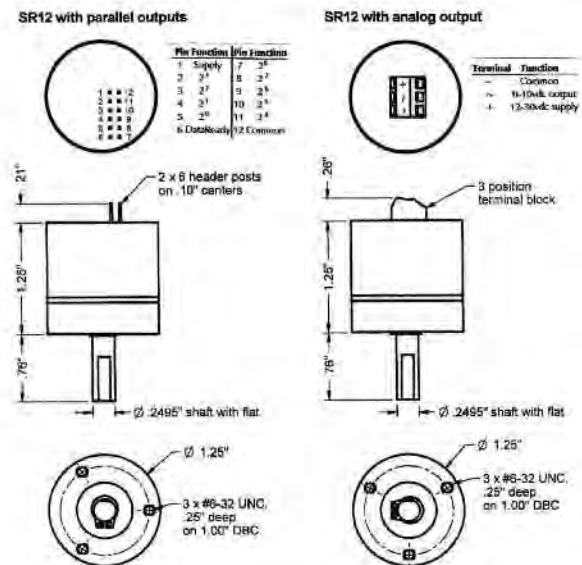
Electrical

Pulse per Revolution	256 (8-bits), 512 (9bits)
Supply Voltage	5vdc (Binary, Gray, 12-30vdc (Analog)
Current	25ma Max. (No Load)
Operating Temp.	-40° to 70°C
Interrogation Rate	1 KHZ
Accuracy	Plus Minus 2/3 bit digital, 1 bit analog
Rotation	CW-increase as viewed from the shaft end.
Digital Output Logic Level	Logic "0": Low voltage, 0.6 Max Logic "1": High voltage, Supply 0.7v Min.
Data Ready Outputs	Normally high, goes low momentarily 7 sec. while the outputs are changing. Stays low to indicate error.
Analog Output Levels	Zero code error: 20mv, Full-scale error: 125mv. Relative accuracy: plus minus 20mv
Output Circuits	Totem-pole 5ma. max source and 6ma. max sink current
Analog 0-10 vdc	Potentiometer is hooked up to 10v & Grd. The output looks like a sawtooth wave where the output voltage increases from 0 to 10v for each complete rev. and then immediately drops to 0v as a new rev. is started.

Mechanical & Environmental

Max. Speed	5,000 rpm
Bearings	Shielded ball bearings
Shaft loading	10 lbs. Axial, 10 lbs. Radial
Weight	2 oz
Materials	Case: Anodized Aluminum Shaft: 303 Stainless Steel
Humidity	35-85% w/o condensation
Vibration	Max 10g (58 to 500Hz)
Shock	50g (11ms duration)
Enclosure	IP-54/NEMA 12

DIMENSIONS



Wiring Diagram

Digital Parallel

PIN #	Function
1	Supply
2	2 ³
3	2 ²
4	2 ¹
5	2 ⁰
6	Data Ready
7	2 ⁸
8	2 ⁷
9	2 ⁶
10	2 ⁵
11	2 ⁴
12	Common

Analog

Terminal	Function
—	Common
~	0-10vdc output
+	12-30vdc supply

Note: Analog outputs has no cable.

Model	Specification	Cable	Price
SR12-256N	8 bits Natural Binary, Parallel 5v outputs	3 ft.	\$200.00
SR12-512N	9 bits Natural Binary, Parallel 5v outputs	Ribbon	\$220.00
SR12-256G	8 bits Gray code, Parallel 5v outputs	Cable	\$200.00
SR12-512G	9 bits Gray code, Parallel 5v outputs		\$220.00
SR12-256A	8 bits Analog 0-10v outputs, 12-30v input	N/A	\$200.00
SR12-512A	9 bits Analog 0-10v outputs, 12-30v input	N/A	\$220.00