

Series PHD/Pendant Hand-held

with E-Stop/Enable SW for CNC Panels



US \$510.00
S.R.P.
List Price

FEATURES

- Hand-held Pulse Generator for “manual” axis jog
- Differential Line Driver Output
- X, Y Z Selector switch plus 4, 5, 6 axis
- Retro Fit applications for Machining Center
- “Handy,” “Lightweight,” “Very Thin”
- Standard Emergency Stop Button
- Standard 16 ft. extended spiral cable
- Std. Magnets attached in rear



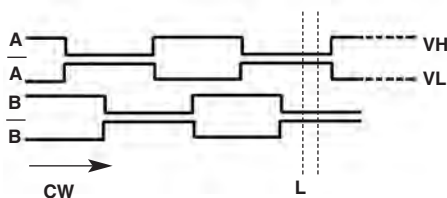
Including
Hook Bracket

SPECIFICATIONS

Electrical

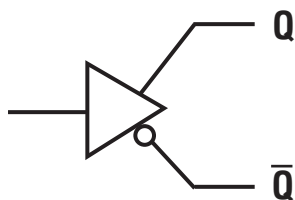
Outputs	Line Driver	TTL Voltage Output for FANUC
Pulse per Revolution	100 PPR	
Supply Voltage	5 v±0.25 v dc	5 v±0.25 v dc
Output Voltage (VH)	≥2.5 v	≥4.0 v
Output Voltage (VL)	≤0.5 v	≤0.5 v
Current Requirement	≤60 mA (No Loading)	
Sink Current	≤20 mA	
Output Capacity	Sync. Current: 20 mA, Residual Voltage: ≤0.5 v	
Phase Difference	Quadrature Square Wave A & B: 90°±45° (T/4±T/8)	
Rise/Fall Time	≤2 μs	
Frequency Response	0-10 kHz	
Insulation Resistance	20 MΩ At 500 v dc Megger (Circuit-Body)	

OUTPUT WAVE FORMS



Relation between output signals
and click stop position.

OUTPUT CIRCUIT



26LS31 or equivalent
Recommended line receiver: 26LS32

Mechanical

Dial Rotating Speed	500 r/min.-Max., 200 r/min.-Normal (Continuous)
Starting Torque	8.34 ozf-in (600 gf-cm) at 25°C
Rotational Life	10x 6 bits turns at ≤ 200 rpm
Weight	3 lbs (1.5 kg)

Environmental

Operating Temperature	0° to 60° C
Humidity	RH 35% to 90% no condensation
Storage Temperature	0° to 80° C
Vibration	10-50 Hz/1.5mm X, Y, Z - 2 hrs. each
Shock	50 G per 11 ms
Enclosure	IP64/NEMA 4

Rotary Switch

Max. Voltage	30 v dc
Current / Switch Life	50 mA / ≥25,000 cycles

Emergency Stop Switch

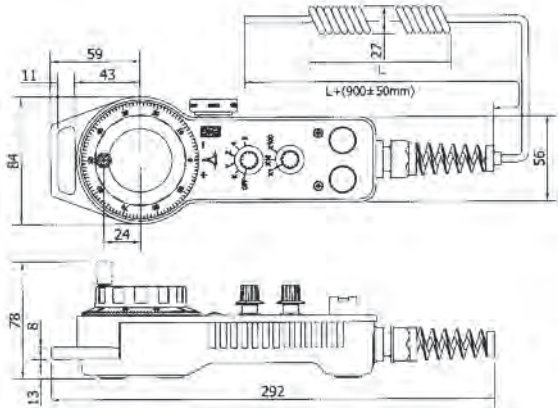
DC Load Resistance	30 vdc, 1.0 A
--------------------	---------------

Enable Switch

DC Load Resistance	50 vdc, 100 mA
--------------------	----------------

Series PHD / Pendent Hand-Held / 6 Axis / With E-Stop / Enable SW

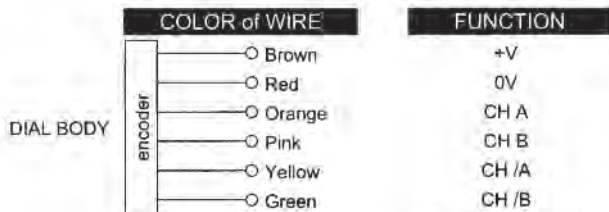
MODEL NUMBER	SPECIFICATION	LIST PRICE
PHD-100-E-6-L	100 Pulse, 5v DC, Linedriver Output, E-Stop SW, Rear Magnets Two (2) Mode Switches. (6 axis and multiplier) 5m (16 ft.) Spiral Cable	\$510.00
PHD-100-E-6-L-EN	100 Pulse, 5v DC, Linedriver Output, E-Stop SW, Enable SW, Rear Magnets Two (2) Mode Switches. (6 axis and multiplier) 5m (16 ft.) Spiral Cable	\$540.00
PHD-100-E-6-T-EN (For FANUC w/Enable SW)	100 Pulse, 5v DC, TTL Output, E-Stop SW, Enable SW, Rear Magnets Two (2) Mode Switches. (6 axis and multiplier) 5m (16 ft.) Spiral Cable	\$540.00



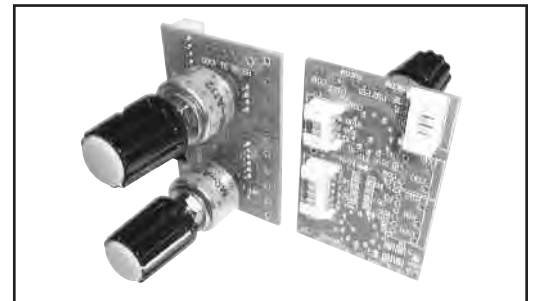
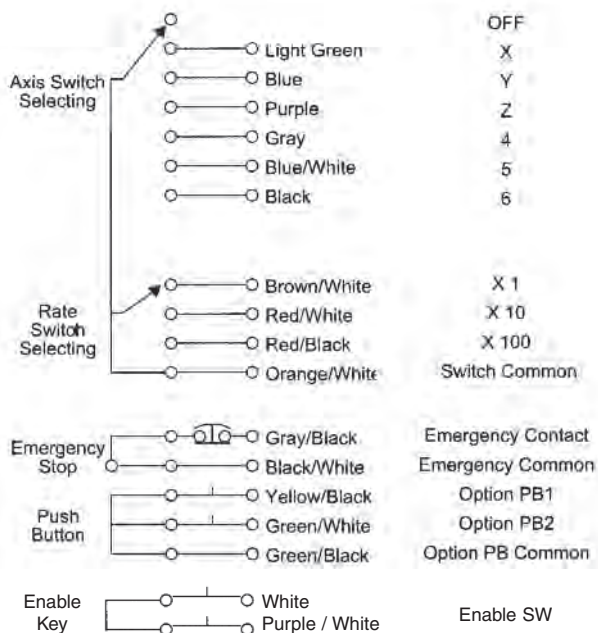
W/Enable SW: Option



ELECTRICAL CONNECTION



POINT TO POINT



Replacement (2) Selector SW's w/PCB - D.I.Y. work

Model	Price
H1-00125-001	\$96.00



Replacement 5m (16ft.) Spiral Cable (25 wires) - D.I.Y. work

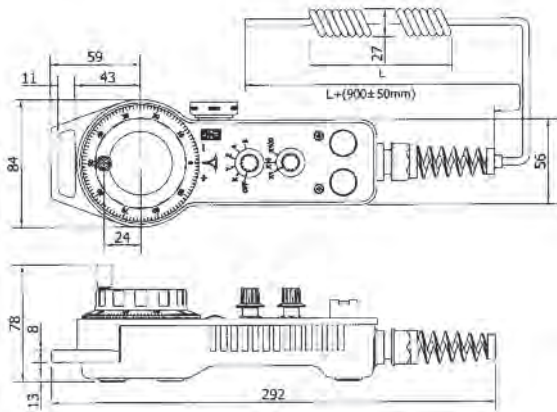
Model	Price
EE-6C004-A01	\$120.00

Replacement (1) 13mm dia SW-Knob

Model	Price
HA-80001	\$9.00

Series PHD / Pendent Hand-Held / 6 Axis / E-Stop / Push Button SW

MODEL NUMBER	SPECIFICATION	LIST PRICE
PHD-100-E-6-L-PB (w/Push Button SW capability)	100 Pulse, 5v DC, Linedriver Output, E-Stop SW, Push Button SW Capability. Order Separately. Rear Magnets Two (2) Mode Switches. (6 axis and multiplier) 5m (16 ft.) Spiral Cable	\$540.00
PHD-100-E-6-T-PB (For FANUC w/Push Button SW capability)	100 Pulse, 5v DC, TTL Output, E-Stop SW, Push Button SW Capability. Order Separately. Rear Magnets Two (2) Mode Switches. (6 axis and multiplier) 5m (16 ft.) Spiral Cable	\$540.00



Bottom View

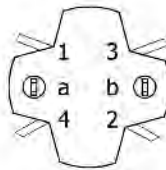
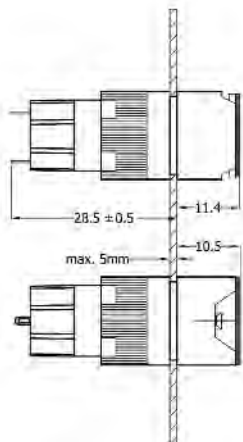
W/Push Button SW Capability: Option
Push Button order separately



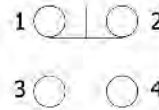
SPECIFICATIONS/PUSH BUTTON SW

Mechanical Lifetime	>2 million operations
Electric Rating	250V AC 5A (VDE) 125V AC 8A 250V DC 0.2A 24V DC 6A
Max. Insulation Voltage	2000 V 60HZ 1 min. between all terminals and ground
Motion Tolerance	<60 operation/min
Panel Thickness	0.5mm ~ 5mm
Degree of Protection	IP40
Storage Temperature	-40°C to +85°C
Operating Temperature	-25°C to +55°C

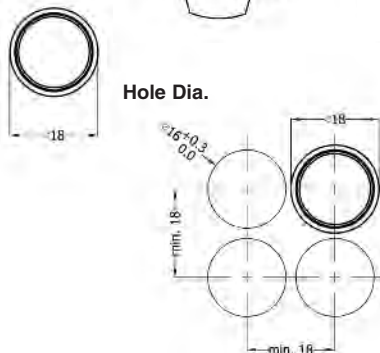
PUSH BUTTON SW (mm)



Electrical Diagram



Hole Dia.



Momentary SW



Alternate SW



WARNING:

World Encoders cannot assume responsibility for SW assembly work and modification to its components, even through defective.

Push Button SW (sold separately) – D.I.Y. Work

MODEL NUMBER	SPECIFICATION	LIST PRICE
D16LMR2	Momentary Push Button SW Either N.O. or N.C. (Per choice of soldering terminal)	\$18.00
D16LAR2	Alternate Push Button SW Either N.O. or N.C. (Per choice of soldering terminal)	\$18.00